



COMPREHENSIVE FRAMEWORK FOR ANN BASED WIND CONTROL IN MULTI-AREA NETWORKS

Pardeep¹, Vinita², Sardul Singh³, Kamal Rani⁴

¹Research Scholar, Department of ECE, GJUST, Hisar

²Assistant Professor, Department of ECE, GJUST, Hisar

Email: ppanghal333@gmail.com¹, vinita669@gmail.com², sardulsingh@gmail.com³,
kamalsindhu04@gmail.com⁴

Abstract- Wind energy is an important form of Renewable energy. Renewable sources are one of alternatives of conventional sources. The systems in wind energy require some analytics tools for further improvement. There are many devices that helps to inject voltage or current in system and helps to improve power quality. There are many issues related to sag, swell, harmonics in the system. Wind energy is an important aspect to generate amount of energy and for safe operation of power grid. This work presents a wind energy system for generating desired voltage. It uses ANN controller for controlling the output. Various performance parameters of wind turbine have been studied. The study also suggests that ANN controller which is far better in terms of performance as compared to traditional PI controller.

Keywords: *Wind Forecasting, Artificial Neural Network, PI controller, Energy etc.*

I. INTRODUCTION

Energy is becoming increasingly scarce and expensive, making it an increasingly vital component of production for businesses and entire countries. Prosperity and growth are becoming increasingly reliant on the environmentally friendly use of power. The prosperity and growth of modern societies are heavily reliant on having adequate energy accessible wherever it is needed — as electric power, fuel, or feedstock. The fact that fossil fuels - oil, gas, hard coal, and lignite – account for the majority of the world's strength supply has long been overlooked.

For the first time, the oil crises of 1973 and 1979 undermined the foundations of this notion. This period was identified as a result of a spike in energy technology innovation (combined with renewable energy), as well as a significant increase in power performance in many industrialized countries. However, fossil fuels continue to account for more than 80% of the energy supply in western industrialized countries.

Since the first oil crisis, economic development and power consumption have ceased moving in lockstep in many industrialized countries, but worldwide electricity demands have continued to rise and will continue to rise, particularly in large rising economies such as China and India. The price of fossil fuels may even rise in the long run as their scarcity grows - a scarcity linked not just to expanding global power demand, but also to the concentration of the world's key oil and gasoline reserves in only a few places, not all of which are likely politically powerful. Government-agreed targets and coverage measures to reduce GHG emissions are applying similar pressure to migrate away from fossil fuels – particularly in western industrialized international locations. As a result of these shifts, many companies are now attempting to outperform their competitors in terms of strength utilization in order to secure a pricing advantage and grow their market share. In order to develop a success guideline to tackle the troubles of strength protection and weather alternate it is vital that electricity call for is analysed and tested carefully.

Income and rate are the 2 main economic drivers of strength demand and the reaction of call for to those drivers are usually analysed in phrases of income and rate elasticises. However, strength is a derived call for rather than being a demand for its very own sake, a call for the offerings it produces with the capital inventory at a certain time. The quantity of strength consumed is connected to the technology degree of the power home equipment to guarantee the desired stage of offerings. Therefore, the power efficiency

stages of those capital and equipment shares substantially affect power intake. Furthermore, there are different factors, besides technological development, that have an impact on power consumption, such as, modifications in consumer tastes, the rebound impact, trade in policies, economic shape, and different exogenous factors.

Today's sources of energy are still mainly fossil-based totally. Oil, herbal gas and coal are the dominant fuels in the power blend. And notwithstanding many efforts to lighten the carbon weight of worldwide strength supply, it's far commonly agreed that the world demand for those fossil fuels will hold over at the least the next few decades. Oil, natural gas and coal are herbal assets. They are not determined everywhere but are unfold erratically over the numerous geographical areas. Furthermore, the regions in which those assets are produced generally tend no longer to coincide with the primary areas of consumption. The Russian Federation is blessed with the provision of significant quantities of oil, natural fuel and coal.

This paper is ordered as follows: section II provides brief about sustainable use of energy. Section III describes the brief introduction about load forecasting. Section IV provides the related work based on this work. At last, conclusion is described in Section V.

II. IMPORTANCE OF SHORT TERM POWER FORECASTING

Short term load forecasting (STLF) anticipates the load for at least one week in advance, and is a vital instrument in such day-to-day power machine operations as hydrothermal coordination, energy transaction scheduling, load flow estimation, and selections to avoid overloading. STLF is a burgeoning study field with a diverse range of approaches.

- Short-term load forecasting is an important aspect of the utilities' day-to-day operations. It is required for any software to be able to paint. Furthermore, because to the complexity of hundreds, system needs, tighter strength high-quality criteria, and deregulation, STLF has become an urgent priority in recent years. Forecasting errors could result in increased operational costs and lower sales.

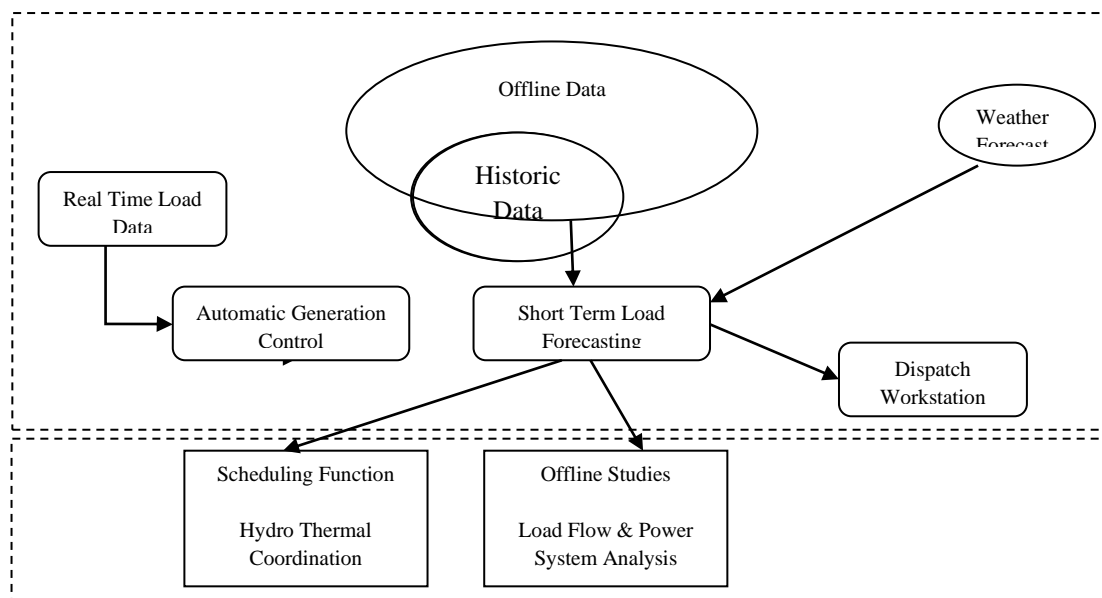


Figure 1: Short Term Load Forecasting Input-Output Configuration

- In the wake of deregulation, STLF will be useful in determining the timing of strength transactions, developing operating plans, and devising bidding strategies. STLF provides enter statistics for load float study and contingency planning in the event of a generator or line failure.
- For application engineers, STLF might be useful in establishing correction plans for specific types of predicted problems. The main goal is to provide a weight prediction for: The basic technology scheduling feature, which determines the maximum monetary commitment of generation resources

while keeping in mind reliability requirements, operational constraints and guidelines, and physical, environmental, and system constraints.

- Assessing the security of the energy system at any time, particularly to determine in which situations the system can be vulnerable, so dispatchers can plan crucial corrective actions such switching operations and electricity purchases to keep the systems running safely.
- Timely dispatcher data is required to run the system efficiently and consistently.

The STLF's roles can be broken down into three categories: movements, research, and operations [2]. Figure 1 shows the enter-output arrangement. The role of STLF in movements is that it plays an important role in the negotiation of bilateral contracts between utilities and local transmission operators. Economic dispatch, unit dedication, hydro-thermal coordination, load waft evaluation, and safety research all require STLF. STLF could be utilized in the field of operations to commit or de-commit generating devices, as well as to increase or decrease energy generation.

III. METHODS OF LOAD FORECASTING

There are a variety of approaches for forecasting short-term load, which can be divided into two categories: traditional or classical methods and computational intelligence tactics.

1. Classical Approaches

Statistical techniques are the foundation of traditional strategy. These necessitate an explicit mathematical model that demonstrates the relationship between the weight and some other input variables. Time series is one of the most well-known methods. The burden information will be modelled as a function of its past observed values using a time series (univariate) approach. Another method is to use a causal version to model the load as a function of exogenous variables such as weather and social characteristics.

Time Series Models

Time collecting fashions depict the load demand as a feature of the prior historic load and presume that the data follow certain stationary styles that are based on developments and seasonal versions. In the time collecting method, a model is first advanced based on prior data, and then the future load is projected using the model. However, because load is affected by weather and time of day, ARIMAX is the most effective herbal device for load forecasting among the traditional time collection models.

When there is limited comprehension of the underlying statistics producing method or when there is no good explanatory model that ties the prediction variable to other explanatory factors, time collection modelling is very effective. The burden demand is supposed to be a desk constrained time collection with everyday distribution qualities in the time series technique. When there is a change in the variable and the historical data isn't always stationary, the predicting result may be erroneous. Although time series fashions have yielded accurate results in some cases, the technique is limited by the concept of linearity.

Regression Models

The regression version depicts a linear relationship between weight and several influencing variables such as climate, client types, and day type. It use the weighted least squares estimation approach in conjunction with historical data. Temperature is the most important record for electric demand forecasting among weather variables in this approach, and it is frequently modelled in a nonlinear form. Using an iteratively reweighted least squares set of rules, describe a method for forecasting short-term load requirements. Aside from that, significant computing work is required to obtain somewhat accurate results. The main reason for the flaws is that the version is not linearized well enough to obtain the expected coefficients. However, because the load patterns are nonlinear, a linearized version of the burden call cannot be used to describe the burden call for long periods of time.

Kalman Filtering Based Techniques

The Kalman filter is an algorithm for estimating the model's state adaptively. The machine's input-output behaviour is represented by a state-space model in load forecasting, with the Kalman filter used to estimate the unknown state of the system. As a result, the Kalman filter estimates the next state vector using today's prediction mistakes and today's climate records acquisition packages.

2. Computational Intelligence Based Techniques

This method eliminates the need for sophisticated mathematical components or quantitative correlations between inputs and outcomes. The accuracy of forecasting can be improved using CI approaches.

Artificial Neural Network

Because of its ability to analyse, artificial neural networks (ANN) have been used in a variety of applications. ANNs are commonly used for load forecasting and are mostly based on biological neurons. The concept that there exists a nonlinear feature that ties a few external variables to future values of the time series is the basis for using neural networks for forecasting. Forecasting is commonly done with a feed-forward network, which consists of several layers of neurons with one input layer, numerous hidden layers, and one output layer. Back propagation (a type of steepest descent) is a basic learning or weight-adjustment approach that propagates the error backwards and adjusts the weights as a result.

Expert Systems

An expert device is a computational model with four main components: a knowledge base, a data base, an inference mechanism, and a user interface. The knowledge base is a set of hard and fast policies generated from human specialists' experience.

Fuzzy Logic

The benefit of fuzzy common sense is that it eliminates the necessity for a mathematical model that maps inputs to outputs and the desire for specific inputs. As a result, well-designed fuzzy logic systems can be used for predicting and are potentially robust. Following the logical processing of fuzzy inputs, the perfect outputs can be obtained via a "defuzzification" method.

The fuzzy policies' inference procedures are performed using the Larsen Max Product implication methodology and the Product Degree of Fulfilment method, while the defuzzification approach is based on the Centre of Area method. Historical load and temperature data from the Greek interconnected strength system are used to test the suggested fuzzy expert device for height load forecasting.

Support Vector Machine

The support vector device performs a nonlinear mapping of the statistics by using kernel features to convert the unique data into a high-dimensional space and then doing linear regression on that high-dimensional space.

IV. RESEARCH METHODOLOGY

According to the survey, the primary control mechanisms for wind farms include automatic generation control, ramping control, output limitation control, and balance control. The multi-layer, feed-forward neural network model with back propagation is used to forecast the distributions of wind speeds using geographical factors and mean monthly meteorological data as inputs. Overall, the best predictor for the available data was the Feed-forward algorithm with one layer and back propagation. It created an MPPT system based on FL and ANN neural networks to boost both subsystems' energy productivity in order to improve the performance of the hybrid model. The main objective of this work is to assess the state-of-the-art of intelligent systems employed in Wind Power generation multi-area networks based on various performance criteria.

Figure 2 depicts the SIMULINK model of the test system. The system has two controllers, one of which is tied to the game plan and the other to the equivalent. It also includes transformers and channel banks for a pleasing result. The system is put to the test under various weight situations. To provide a reliable current

yield, a variable weight is used. The structure in this case makes use of a three-phase input programmable source. This system falls under a few PQ concerns such as voltage list, swell, noises, and impedance, among others.

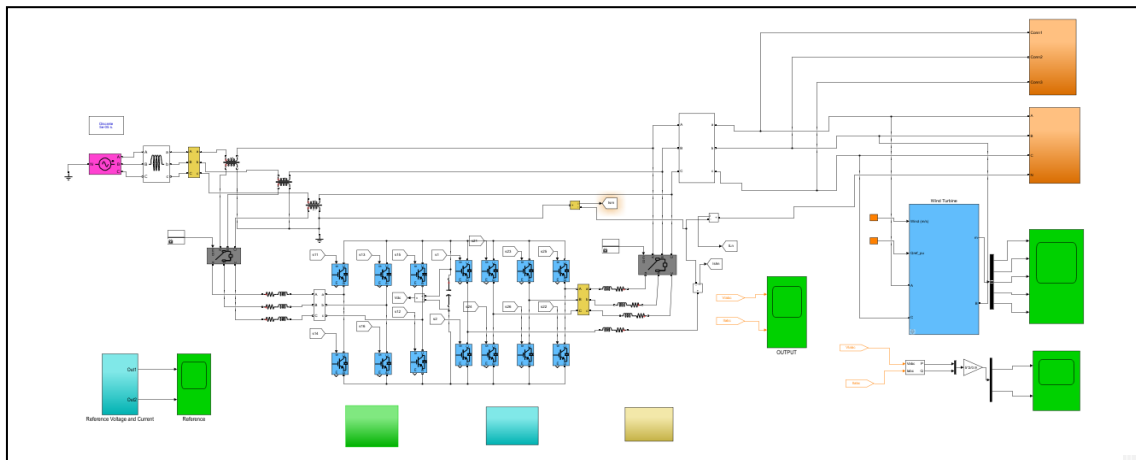


Figure. 2: Proposed Model of Wind Turbine with ANN

By using methods for a coupling transformer to address load voltage, the game plan controller is proposed to mix an intensely controlled voltage in degree and stage into the scattering line. This is a Dynamic Voltage Regulator (DVR), which is mostly utilized as a custom power device for gaming plans. To compensate the current level, it employs an ANN controller in the shunt controller. The Shunt Controller was created with the goal of compensating current imbalance, current music, and weight open power demand in a deft manner. Shunt controller coupling is three-phase in terms of network and weight. It acts as current sources when compared to the nonlinear weight, resulting in symphonious streams that the load requires.

V. RESULTS & DISCUSSION

The limits of the VSI ought to be organized circumspectly for better after execution. The noteworthy limits that ought to be thought about while arranging normal VSI are V , C_{sh} , L_{sh} , L_{se} , C_{se} and repeat (f) and are recorded in Table 1.

Table 1: UPQC System Parameters

System Quantities	Values
Source	3-Phase, 25kV, 50Hz
Inverter Parameters	IGBT based, 3-arm, 6-Pulse
Input L Load	$L=0.1$ mH
DC Filter	$C=5$ mH
Power Factor	0.9
Controller	ANN Based

In this model, it consists of shunt and series controller with ANN system. Here, ANN is used to control the signal noise and provide smooth output in system. These controllers help to inject voltage and current for desired output. Also, a variable load is provided with power factor controlling. Fig 3 shows the reference voltage and current of system.

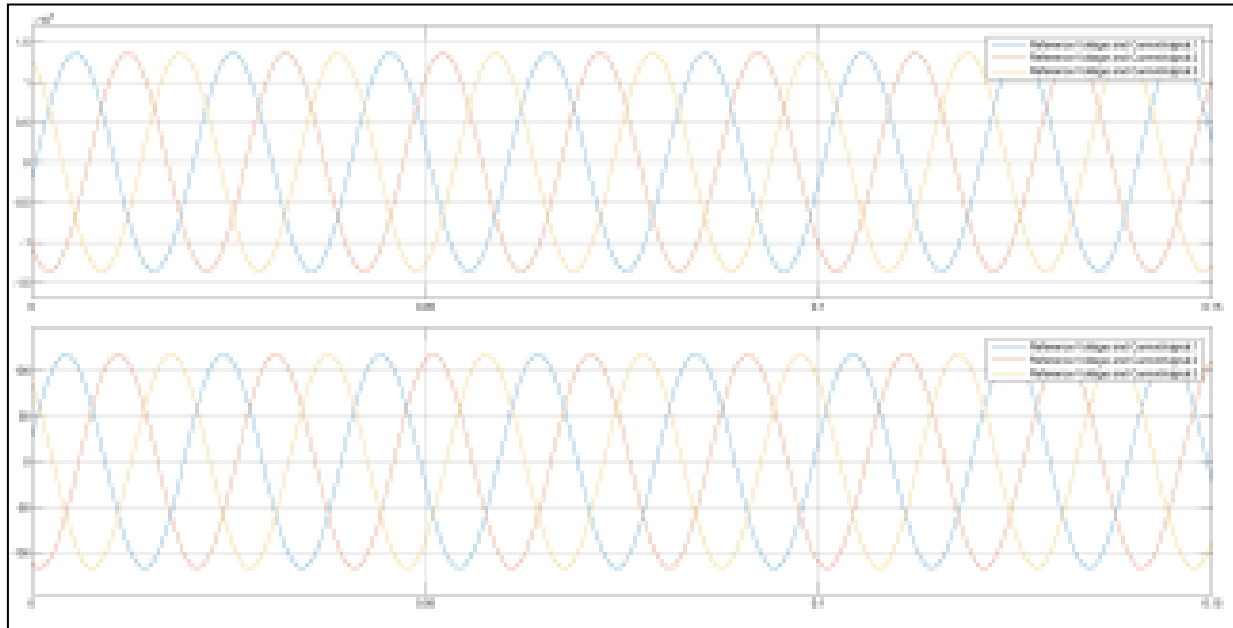


Figure 3: Reference Voltage & Current of System

To check the apleness of control structure with down to earth limits, a MATLAB/SIMULINK based modernized entertainment is finished. The display of UPQC under such condition with different conditions, for instance, voltage hang and swell compensation are attempted. Figure 4.11 shows the three phase reference voltage waveforms as data voltage. Fig 4 shows the control ending beats for interface converters. Every expansion contains six IGBTs and each IGBT require an ending beat at its passage terminal. These data beats are required to ON the frameworks. Fig 5 shows the performance output of wind turbine system with stator & rotor voltage with current response.

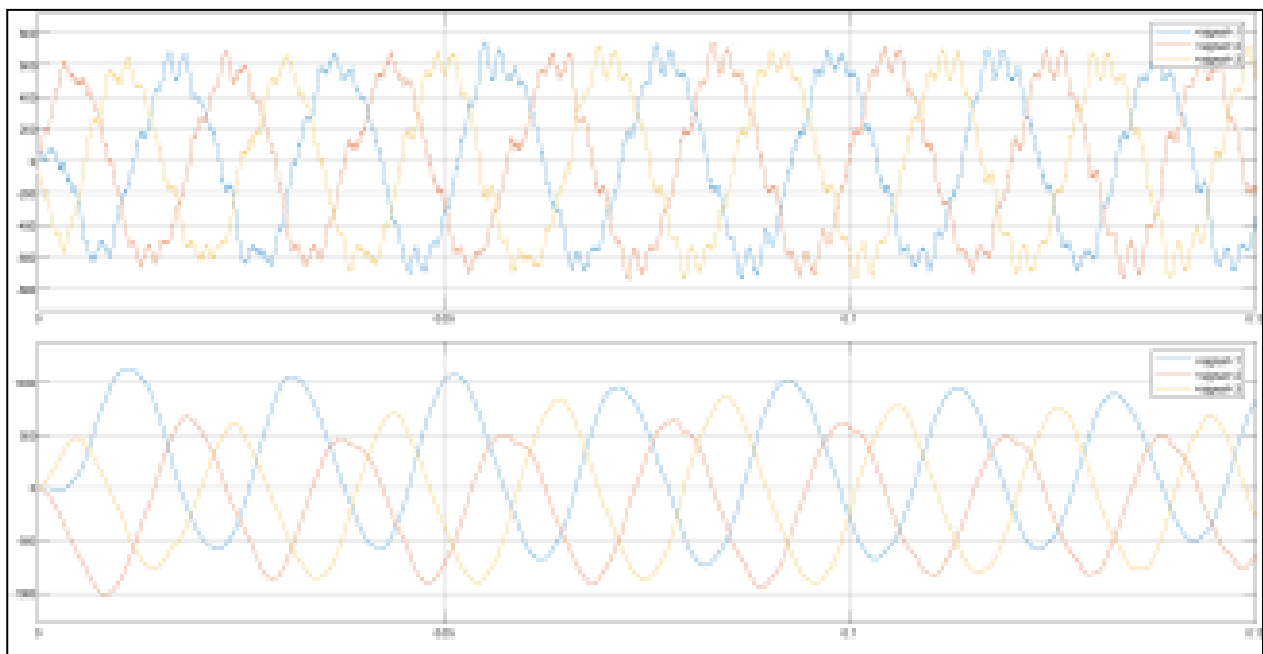


Figure 4: Load Voltage & Current of System

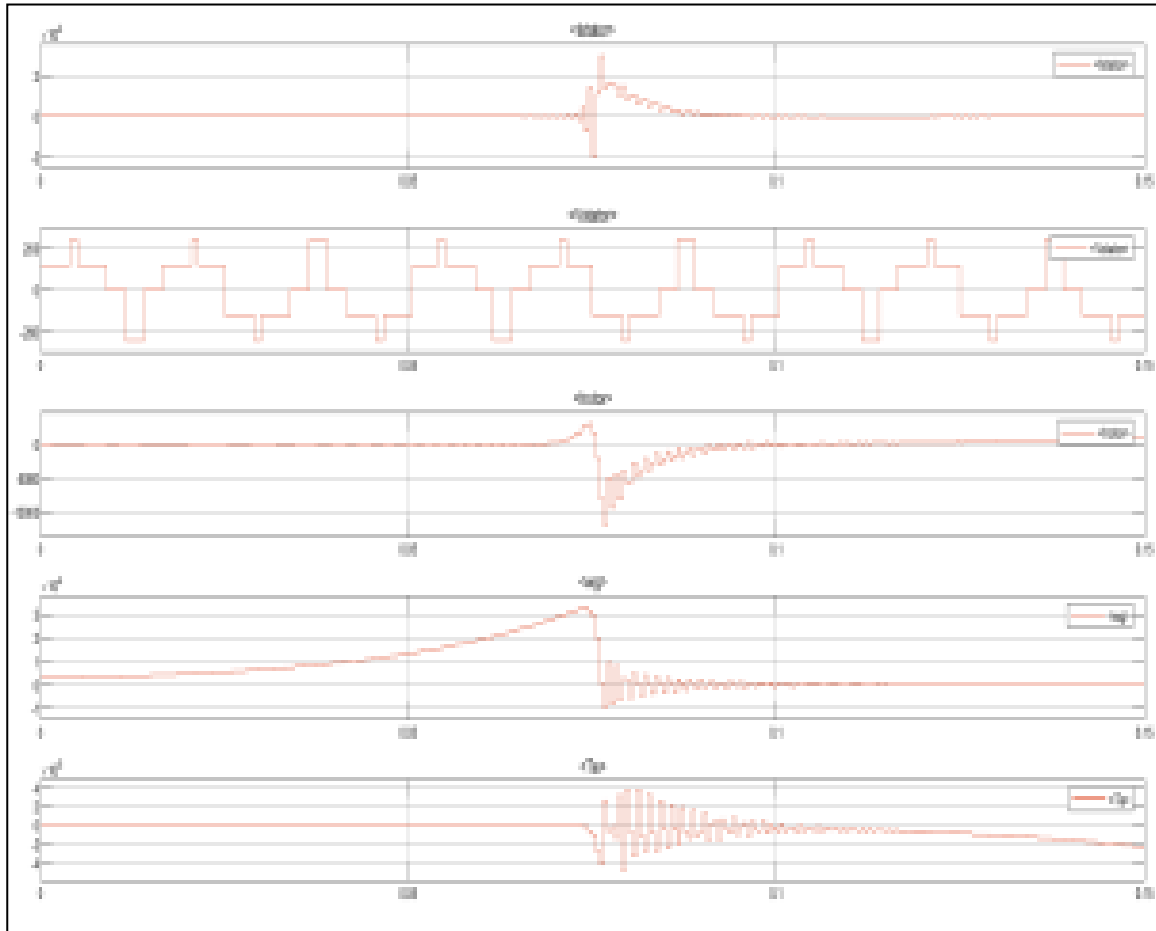


Figure 5: Performance Output of Wind Turbine with System

VI. CONCLUSION

This work fundamentally furnishes the idea of wind turbine framework with ANN regulator to lessen THD esteem in framework. It likewise gives the idea of associating wind turbine with UPQC yield to create reaction bends of turbine with dynamic and receptive force reaction. In this proposition, the essential goals for the utilization of the considered apparatus have been to diminish the mutilation level and particularly improving the power idea of the structure. The essential purpose of this proposition is to become new model for UPQC wind turbine with ANN controller to diminish sway on PV structure. To shield essential weights from more voltage sounds, UPQC is fitting and agreeable. In view of its trustworthiness it was held onto as the perfect response for the compensation of voltage and current.

REFERENCES

- [1]. D. Jurj, D. Micu, (2018), "Overview of Electrical Energy Forecasting Methods and Models in Renewable Energy", International Conference and Exposition on Electrical and Power Engineering, pp. 87-90.
- [2]. J. Yang, Q. Wang, (2018), "A Deep Learning Load Forecasting Method Based On Load Type Recognition", International Conference on Machine Learning & Cybernetics, pp. 173-177.
- [3]. W. Obaid, A. Hamid, (2018), "Hybrid Power System Design for Electric Boat with Solar Irradiance Forecasting", IEEE, pp. 01-05.
- [4]. T. Arata, S. Yamaguchi, (2020), "Power Demand Forecasting System with Reconfigurable User Interface Using Redundant Operation Data", IEEE International Conference on Consumer Electronics, pp. 01-08.

- [5]. D. Viet, V. Phuong, (2018), "A Short-Term Wind Power Forecasting Tool for Vietnamese Wind Farms and Electricity Market", International Conference on Green Technology and Sustainable Development, pp. 130-135.
- [6]. S. Verma, V. Reddy, (2018), "Markov Models based Short Term Forecasting of Wind Speed for Estimating Day-Ahead Wind Power ", IEEE, pp. 31-35.
- [7]. G. W. Chang, H. J. Lu, (2016), "A Hybrid Model for Forecasting Wind Speed and Wind Power Generation", IEEE, pp. 01-05.
- [8]. C. Wang, H. Sun, Jun Liang, (2014), "The study of Unit Commitment Considering Wind Forecasting Power", International Conference on Power System Technology, pp. 2614-2617.
- [9]. G. Goretti, A. Duffy, (2017), "The Impact of Power Curve Estimation on Commercial Wind Power Forecasts -An Empirical Analysis", IEEE, pp. 01-04.
- [10]. J. Yan, Y. Liu, (2013), "An Integration of Enhanced Wind Power Interval Forecasting into Reactive Power Dispatching", IEEE, pp. 01-06.
- [11]. Jie Yan, Yongqian Liu, (2014), "A robust probabilistic wind power forecasting method considering wind scenarios ", IEEE, pp. 01-06.
- [12]. M. Li, M. Yang, (2020), "Wind Power Probabilistic Forecasting Based on Wind Correction Using Weather Research and Forecasting Model", IEEE Student conference on Electric Machines & Systems, pp. 619-624.
- [13]. H. J. Lu, G. W. Chang, (2018), "Wind Power Forecast by Using Improved Radial Basis Function Neural Network", IEEE, pp. 01-05.
- [14]. M. XU, Zongxiang LU, Ying QIAO, (2013), "Study on the Adaptability Of Day-Ahead Wind Power Forecast System For On-Site Use", IEEE, pp. 01-05.
- [15]. Ankita Singh, Gurtej K, (2016), "Short Term Wind Speed and Power Forecasting in Indian and UK Wind Power Farms", IEEE, pp. 01-05.
- [16]. Jyothi Varanasi, M.M. Tripathi, (2016), "Artificial Neural Network Based Wind Power Forecasting in Belgium", IEEE, pp. 01-06.
- [17]. Sheng-Hong Wu, Yuan-Kang Wu, (2020), "Probabilistic Wind Power Forecasts Considering Different NWP Models", IEEE International Symposium on Computer, Consumer and Control, pp. 428-431.
- [18]. Jie Yan, Hao Zhang, (2017), "Forecasting the High Penetration of Wind Power on Multiple Scales Using Multi-to-Multi Mapping ", IEEE Transactions on Power Systems, pp. 01-09.
- [19]. Shen Yang-Wu, Mao Xun, (2019), "Load Frequency Control Strategy for Wind Power Grid-connected Power Systems Considering Wind Power Forecast", IEEE conference on Energy Internet and Energy System Integration, pp. 1124-1128.
- [20]. Eddie Yatiyana, Sumedha Rajakaruna, and Arindam Ghosh, (2017), "Wind Speed and Direction Forecasting for Wind Power Generation Using ARIMA Model", IEEE, pp. 01-06.
- [21]. Xinpeng Zheng, Xiaoxia Qi, Hongda Liu, (2018), "Deep Neural Network for Short-Term Offshore Wind Power Forecasting", IEEE, pp. 01-05.
- [22]. Sumit Saroha, S.K. Aggarwal, (2019), "Wind Power Forecasting Using Wavelet Transform and General Regression Neural Network for Ontario Electricity Market", Recent Advances in Electrical & Electronic Engineering, pp. 1-11.
- [23]. Xiangjun Li, Dong Hui, and Xiaokang Lai, "Battery energy storage station based smoothing control (pv) and wind power generation fluctuation." VOL. 4, issue 2 , pp 464 – 473.
- [24]. Ning chen, Qi wang, Liangzhongyao, Lingzhizhu, Yi tang, Fubaowu, Mei chen, Ningbo Wang, "Wind power forecasting error-based dispatch method for wind farm cluster." J. Mod. Power Syst. Clean Energy , pp 65–72, (2013).
- [25]. Ping he, Fushuan wen , Gerard ledwich, Yusheng xue, "Small signal stability analysis of power systems with high penetration of wind power." J. Mod. Power Syst. Clean Energy (2013).
- [26]. Zhechen, "Wind power in modern power systems." J. Mod. Power Syst. Clean Energy, pp 2–13 (2013).
- [27]. Yi ding, Lin cheng, Yonghongzhang, Yusheng xue, "Operational reliability evaluation of restructured power systems with wind power penetration utilizing reliability network equivalent and time-sequential simulation approaches." J. Mod. Power Syst. Clean Energy , pp 329–340 (2014).
- [28]. Shahab shokrzadeh, Mohammad jafarijozani, and Eric bibeau, "Wind Turbine Power Curve Modeling Using Advanced Parametric and Nonparametric Methods." IEEE journal, vol. 5, issue 4, (2014).
- [29]. C murray, M asher, N lieven, M mulroy, C ng and P morrish, "Wind turbine drivetrain health assessment using discrete wavelet transforms and an artificial neural network." (2014).
- [30]. Gulshan Sharma¹, K. R. Niazi¹, Ibraheem and R. C. Bansal, "LS-SVM based AGC of Power System with Dynamic Participation from DFIG based Wind Turbines." (2014).